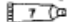
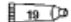
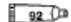
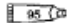
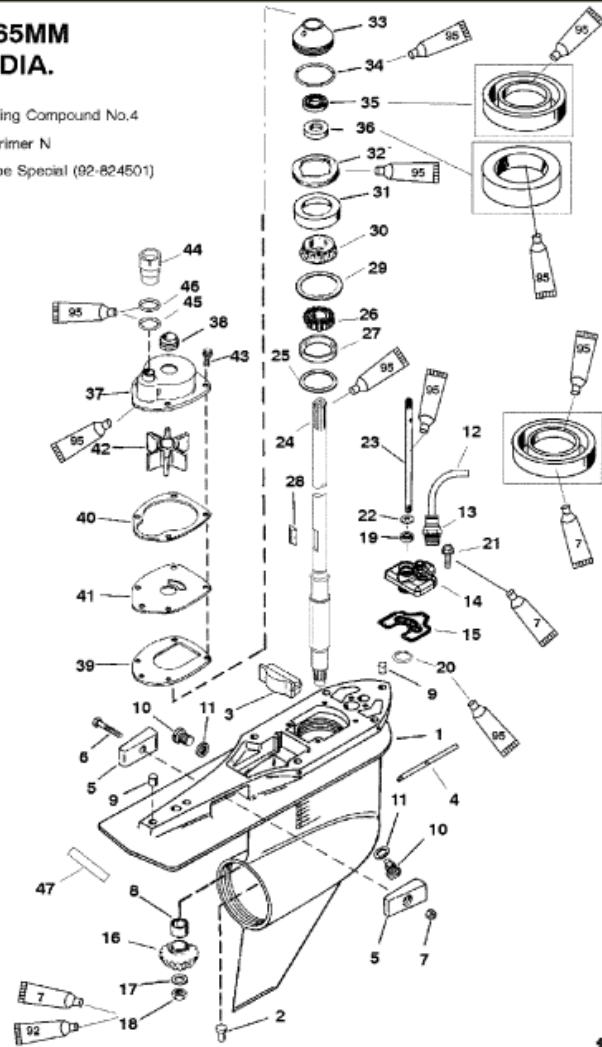


**4.75 IN/120.65MM
 TORPEDO DIA.**

-  Loctite 271
-  Perfect Seal Sealing Compound No.4
-  Loctite Locquic Primer N
-  Chemtool Duralube Special (92-824501)



12462

Parts List

Ref	Class	Part	Description	Qty	Comment	Footnote
1	1623	859399T18	GEAR HOUSING, Basic	1		
2	17	37972 1	PIN	1		
3		821526	FILLER BLOCK	1		
4		859402	PITOT TUBE	1		
5		826134Q	ANODE	2		
6	10	40003 33	SCREW, (M6 x 40)	1		
7	11	40138 6	NUT, (M6)	1		
8	31	42647A 1	BEARING ASSEMBLY, Roller	1		
9	17	43044	PIN, Dowel (.375 x .625) (Withou	2		
10	10	79953Q 2	SCREW KIT, (.375-16 x .250) Dre	2		
11	12	19183 2	WASHER	2		15
12	32	859449 75	TUBING, (72.00 Inches Bulk)	1	[X-LONG - 12 IN.]	
12	32	859449 75	TUBING, (72.00 Inches Bulk)	1	[XX-LONG - 17 IN.]	
13	22	859432	FITTING	1		
14		858934	COVER	1		
15	27	858935	GASKET	1		
16		NSS	NOT SOLD SEPARATE, Pinion Ge	1	(1.75:1 - 12/21) (PART OF 43-828	
17	12	92721	WASHER	1		
18	11	35921	NUT, (.625-18)	1		
19	26	816464 1	SEAL, Oil	1		15
20	25	36318	O-RING, (.799)	1		15
21	10	19937 16	SCREW, (M6 x 16)	2		
22	12	77674	WASHER	1		
23		824145	SHIFT SHAFT (LOWER)	1		
24	45	881942	DRIVESHAFT	1	[X-LONG]	
24	45	881943	DRIVESHAFT	1	[XX-LONG]	
25	15	38657A 1	SHIM ASSEMBLY	AR		
26	31	48939A 2	BEARING, Tapered Roller	1		
27		NSS	NOT SOLD SEPARATE, Cup	1		
28	28	43037	KEY	1		18
29	15	42637A 1	SHIM SET	AR		
30	31	36387A 1	BEARING, Roller	1		
31		NSS	NOT SOLD SEPARATE, Cup	1		
32		824519 1	RETAINER	1		
33		807929A 1	CARRIER ASSEMBLY	1		18
34	25	90011	O-RING, (2.175 x .175)	1		15,18
35	26	66302	SEAL, Oil	1		15,18
36	26	66302	SEAL, Oil	1		15,18
37		817275A 1	PUMP ASSEMBLY, Water	1		18
38	26	816575A 2	SEAL KIT	1		15,18
39	27	42022 1	GASKET	1		15,18